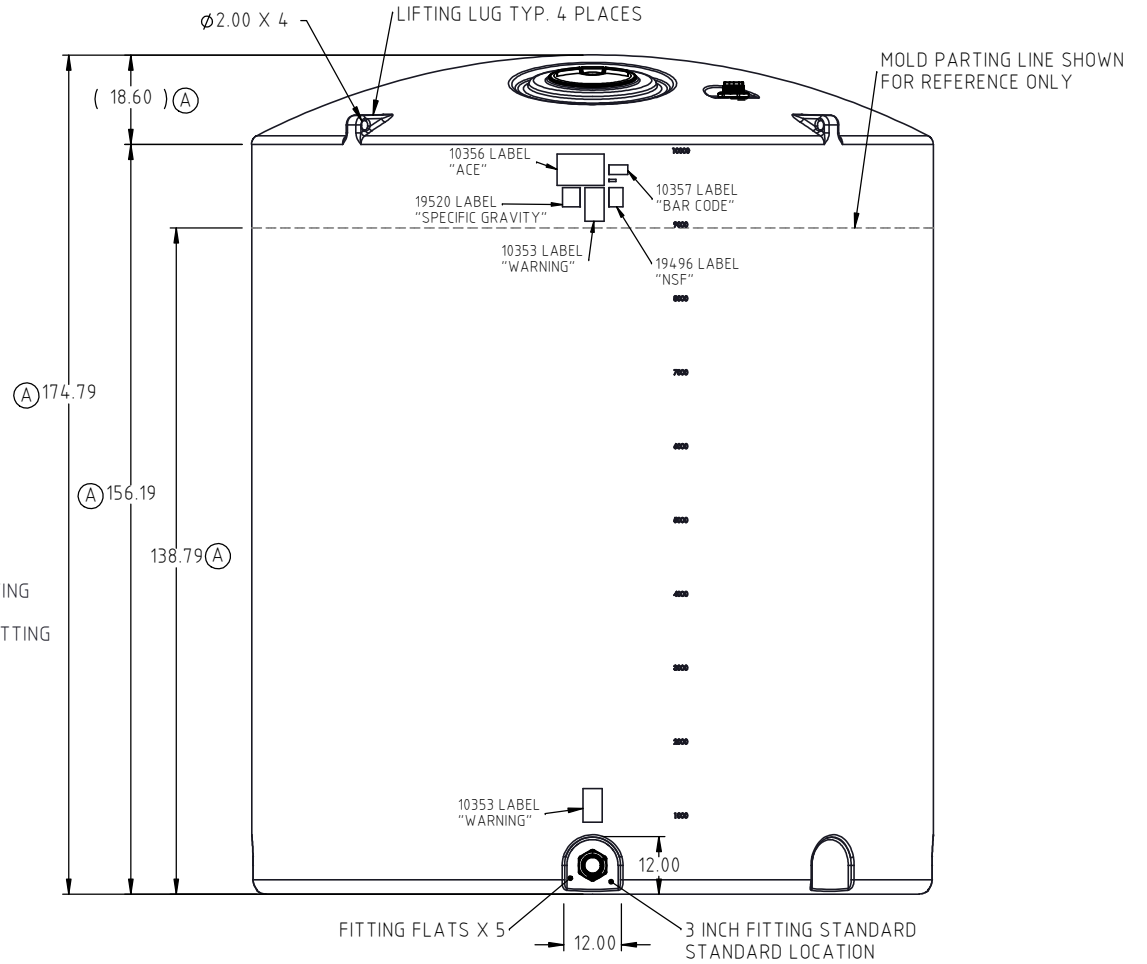
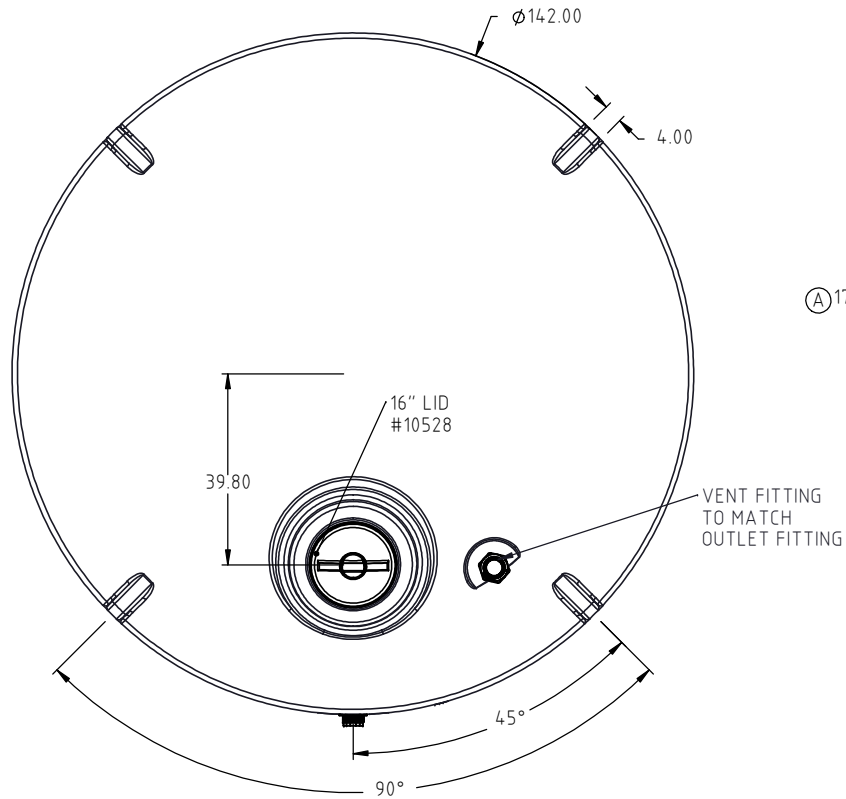



Copyright. All information furnished within this document, electronic file or design correspondence is the property of Den Hartog Industries, Inc. and shall not be used, disclosed to others or copied without the expressed written consent of Den Hartog Industries, Inc.



				DRAWN / DATE ADH 7/10/13	MATERIAL
A	HEIGHT ADJUSTED: 174.79" WAS 179.00", 138.79" WAS 143.00"	DHJ 8/28/19	3837	APPRD. / DATE	10538 2 MELT
REV	DESCRIPTION	BY / DATE	CCN	REH 8/7/13	
ALL DIMENSIONS ARE IN DECIMAL INCHES TOLERANCES UNLESS OTHERWISE SPECIFIED		THIRD ANGLE PROJECTION ANSI 14.5M		SHOT WEIGHT: 2800.00 LBS S.G. 1.75 2500.00 LBS S.G. 1.60	NOTES:
POLYETHYLENE	METAL DECIMAL ± .125" FRACTION ± 1/4" ANGLE ± 1°			SHIPPING WEIGHT: 2802.00 LBS S.G. 1.75 2502.00 LBS S.G. 1.60	1) WHITE, BLACK, OR YELLOW COLOR
±1% @ 68°F				FINISH:	



Den Hartog

INDUSTRIES, INC.

Acra Roto-Mold Injection Molding Blow Molding Sowjoy

4010 HOSPERS DRIVE S. BOX 425, HOSPERS, IOWA 51238-0425

DESCRIPTION 10500 GALLON VERTICAL TANK	
SCALE N.S.	PART NO. VT10500-142