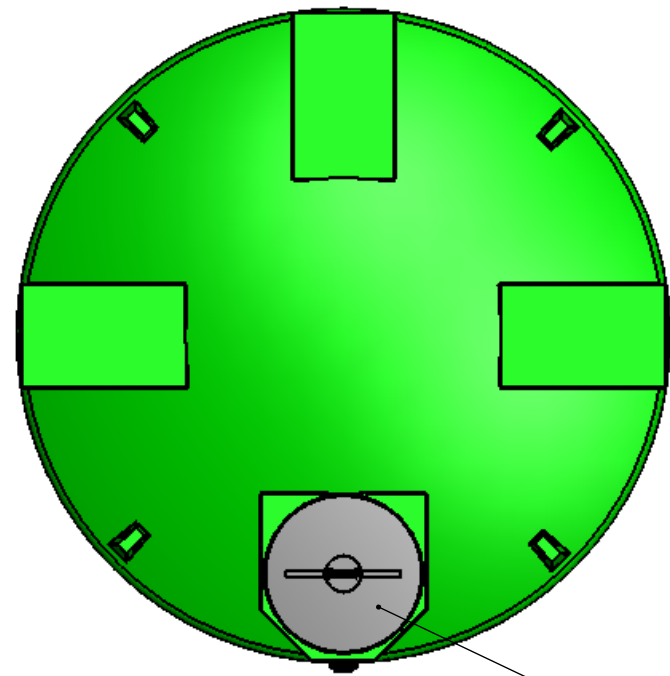


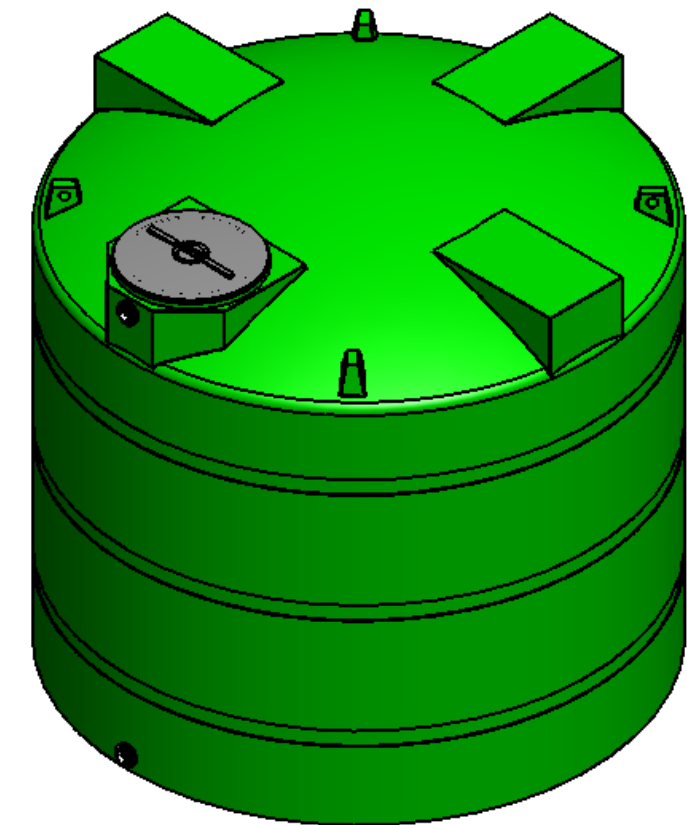
8 7 6 5 4 3 2 1

D
C
B
A

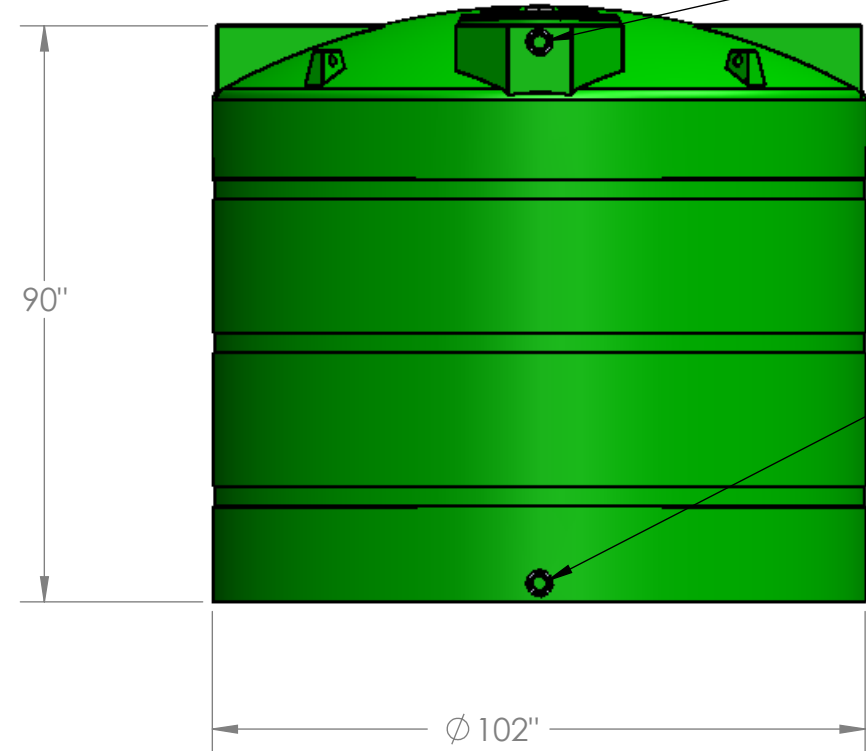
D
C
B
A



24" THREADED LID
W/BREATHER



2" NPT
POLYPRO FITTING



90"


Ø 102"

2" NPT
POLYPRO FITTING

NOTES:

1. MATERIAL: HDPE
2. CLOR: DARK GREEN
3. WEIGHT: 430 LBS.

PROPRIETARY AND CONFIDENTIAL
THE INFORMATION CONTAINED IN THIS DRAWING IS THE SOLE PROPERTY OF <INSERT COMPANY NAME HERE>. ANY REPRODUCTION IN PART OR AS A WHOLE WITHOUT THE WRITTEN PERMISSION OF <INSERT COMPANY NAME HERE> IS PROHIBITED.

		UNLESS OTHERWISE SPECIFIED:		NAME	DATE	 877-468-2657
		DIMENSIONS ARE IN INCHES TOLERANCES: FRACTIONAL ± ANGULAR: MACH ± BEND ± TWO PLACE DECIMAL ± THREE PLACE DECIMAL ±		DRAWN	12-02-11	
		INTERPRET GEOMETRIC TOLERANCING PER:		CHECKED		TITLE: 3000 GALLON VERTICAL TANK, FRESH WATER GREEN
		MATERIAL		ENG APPR.		
		FINISH		MFG APPR.		
NEXT ASSY	USED ON	DO NOT SCALE DRAWING		Q.A.		SIZE DWG. NO. REV B 3000 VT FWG
APPLICATION				COMMENTS:		SCALE: 1:50 WEIGHT: SHEET 1 OF 1

8 7 6 5 4 3 2 1