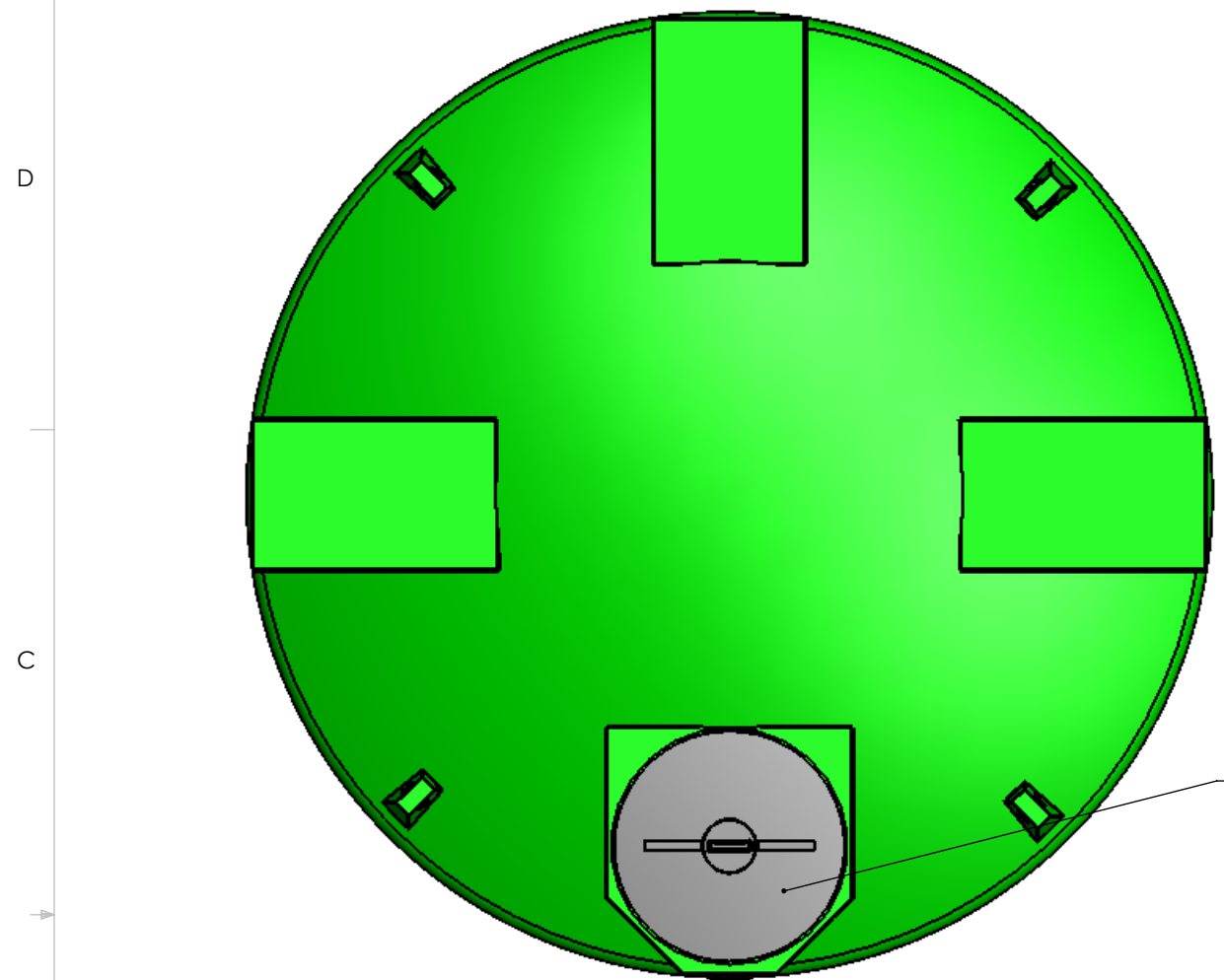
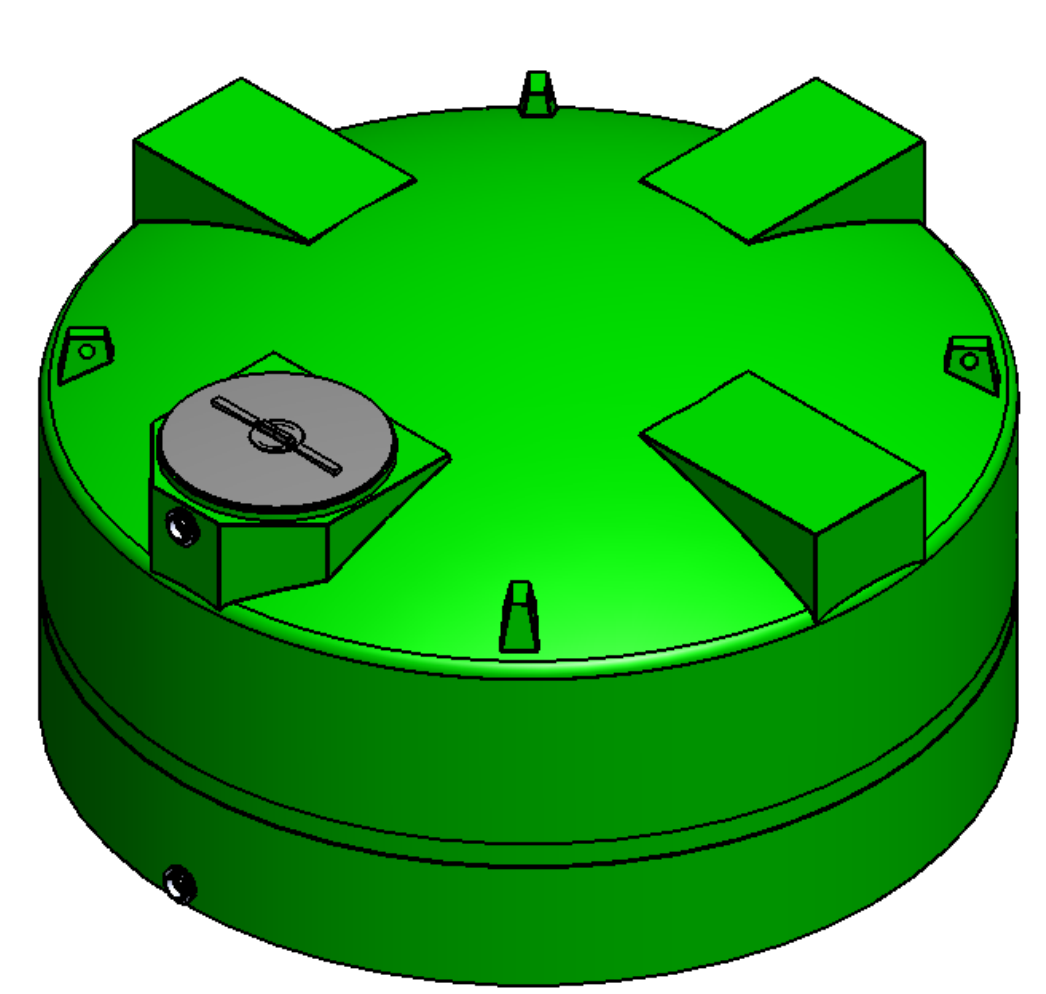


8 7 6 5 4 3 2 1



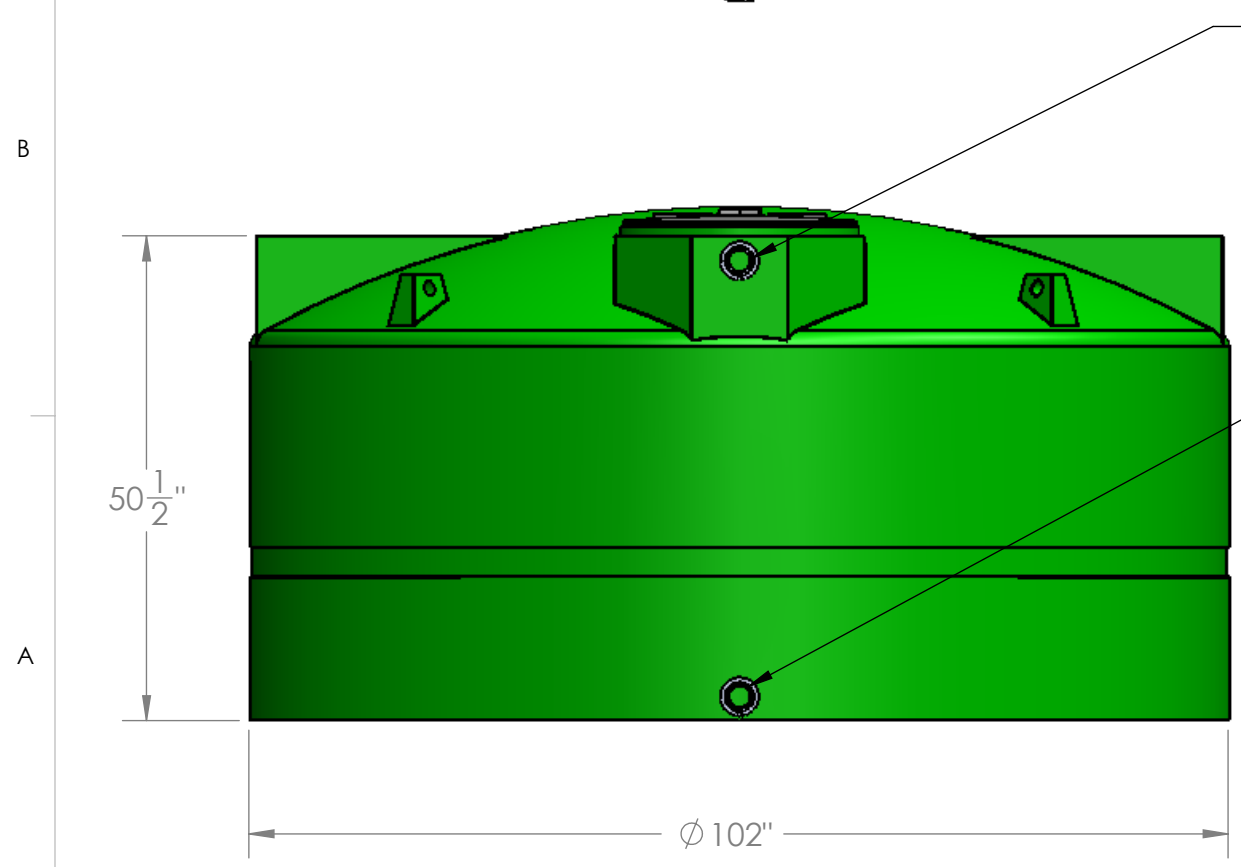
24" THREADED LID
W/BREATHER

2" NPT
POLYPRO FITTING



NOTES:

1. MATERIAL: HDPE
2. COLOR: DARK GREEN
3. WEIGHT: 200 LBS.




2" NPT
POLYPRO FITTING

50 1/2"

Ø 102"

PROPRIETARY AND CONFIDENTIAL
THE INFORMATION CONTAINED IN THIS DRAWING IS THE SOLE PROPERTY OF <INSERT COMPANY NAME HERE>. ANY REPRODUCTION IN PART OR AS A WHOLE WITHOUT THE WRITTEN PERMISSION OF <INSERT COMPANY NAME HERE> IS PROHIBITED.

		UNLESS OTHERWISE SPECIFIED:		NAME	DATE	 877-468-2657
		DIMENSIONS ARE IN INCHES TOLERANCES: FRACTIONAL ± ANGULAR: MACH ± BEND ± TWO PLACE DECIMAL ± THREE PLACE DECIMAL ±		DRAWN	12-02-11	
		INTERPRET GEOMETRIC TOLERANCING PER:		CHECKED		TITLE: 1600 GALLON VERTICAL TANK, SHORT. FRESH WATER GREEN
		MATERIAL		ENG APPR.		
		FINISH		MFG APPR.		
NEXT ASSY	USED ON	DO NOT SCALE DRAWING		Q.A.		SIZE DWG. NO. REV B 1600 VTS FWG
APPLICATION				COMMENTS:		SCALE: 1:32 WEIGHT: SHEET 1 OF 1

8 7 6 5 4 3 2 1