

© DEN HARTOG INDUSTRIES, INC.

Copyright. All information furnished within this document, electronic file or design correspondence is the property of Den Hartog Industries, Inc. and shall not be used, disclosed to others or copied without the expressed written consent of Den Hartog Industries, Inc.

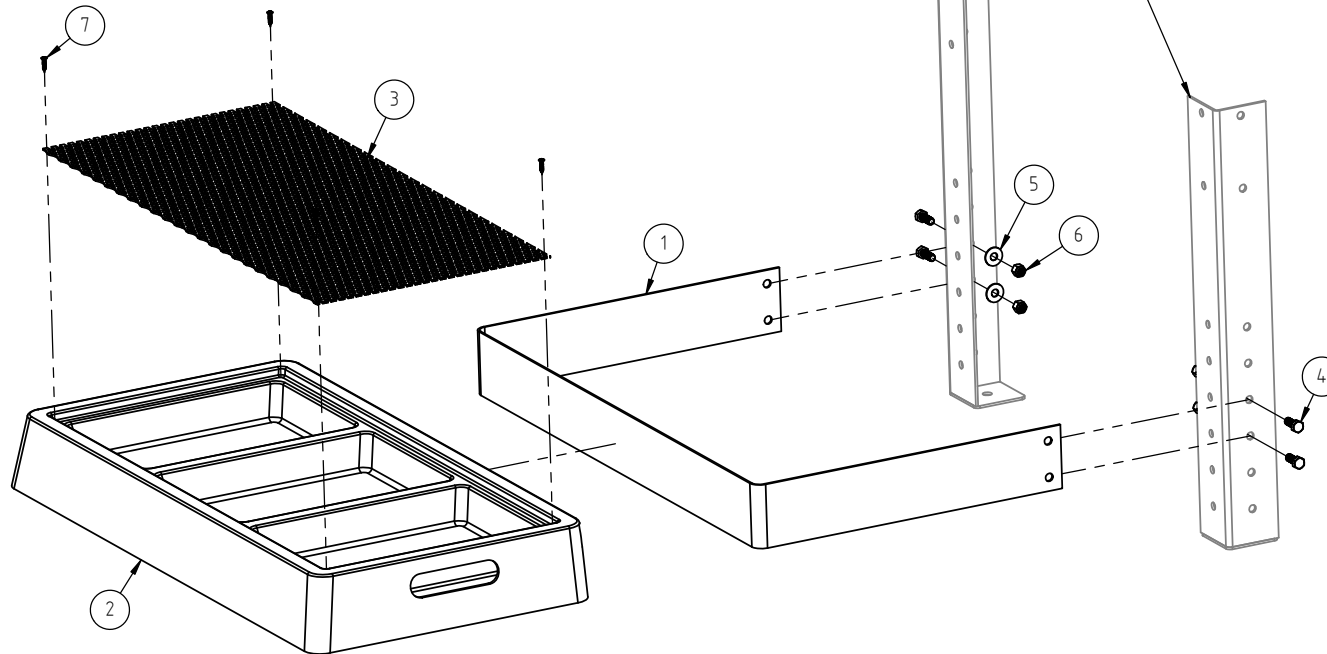
ST70/120-DT

C

ITEM NO.	PART NUMBER	DESCRIPTION	QTY.
1	12617	DRIP TRAY BRACE	1
2	12618	DRIP TRAY	1 (A)
3	12634	SCREEN FOR DRIP TRAY	1
4	12503	BOLT, 3/8" X 1" HEX	4 *
5	11094	WASHER, 3/8" X 1" OD FLAT SS	4 *
6	10223	NUT, 3/8" STAINLESS NYLOK	4 *
7	12680	SCREW, #8 X 3/4" OVAL PHILLIPS	4 (C)
8	ST70-120-DT	INSTRUCTIONS	1 *

\*=HARDWARE BAG

#ST024-LG (SHOWN)  
OR ST036-LG (BRACES REQUIRED) (A)(B)  
SKID LEG KIT(S)  
ORDERED SEPARATELY



C	12680 SCREWS ADDED TO THE PRINT.	ADH 7/30/18	3604	DRAWN / DATE	MATERIAL
B	ST024-LG & ST036-LG WERE ST70/120-LG	ADH 4/18/11	2207	ADH 11/26/08	
A	DRIP TRAY SPELLING CORRECTED, 36" LEG OPTION ADDED	ADH 4/12/11	xxxx	APPRD. / DATE	
REV	DESCRIPTION	BY / DATE	CCN	REH 2/25/09	
ALL DIMENSIONS ARE IN DECIMAL INCHES TOLERANCES UNLESS OTHERWISE SPECIFIED		THIRD ANGLE PROJECTION ANSI 14.5M		SHOT WEIGHT:	NOTES:
POLYETHYLENE		METAL DECIMAL ± .125" FRACTION ± 1/4" ANGLE ± 1°		SHIPPING WEIGHT:	
±1% @ 68°F				FINISH:	



**Den Hartog**  
INDUSTRIES, INC.

Ace Roto-Mold Injection Molding Blow Molding Sowjoy

4010 HOSPERS DRIVE S. BOX 425, HOSPERS, IOWA 51238-0421

DESCRIPTION 35, 70 AND 120 GALLON TOTE DRIP TRAY ASSEMBLY

SCALE N.S.

PART NO. ST70/120-DT