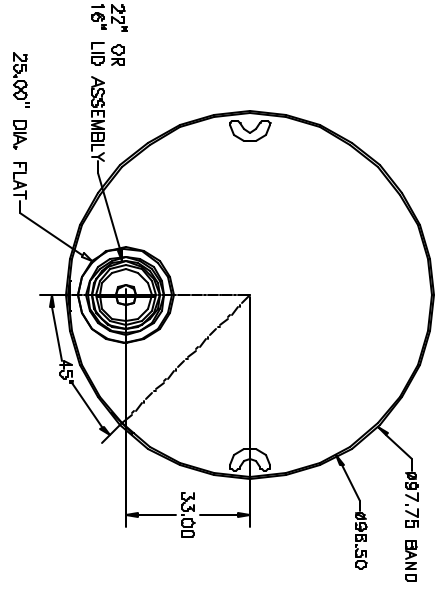
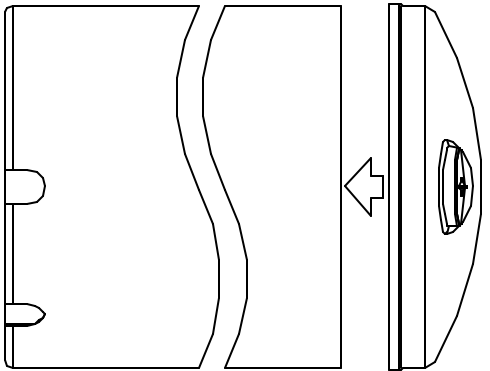


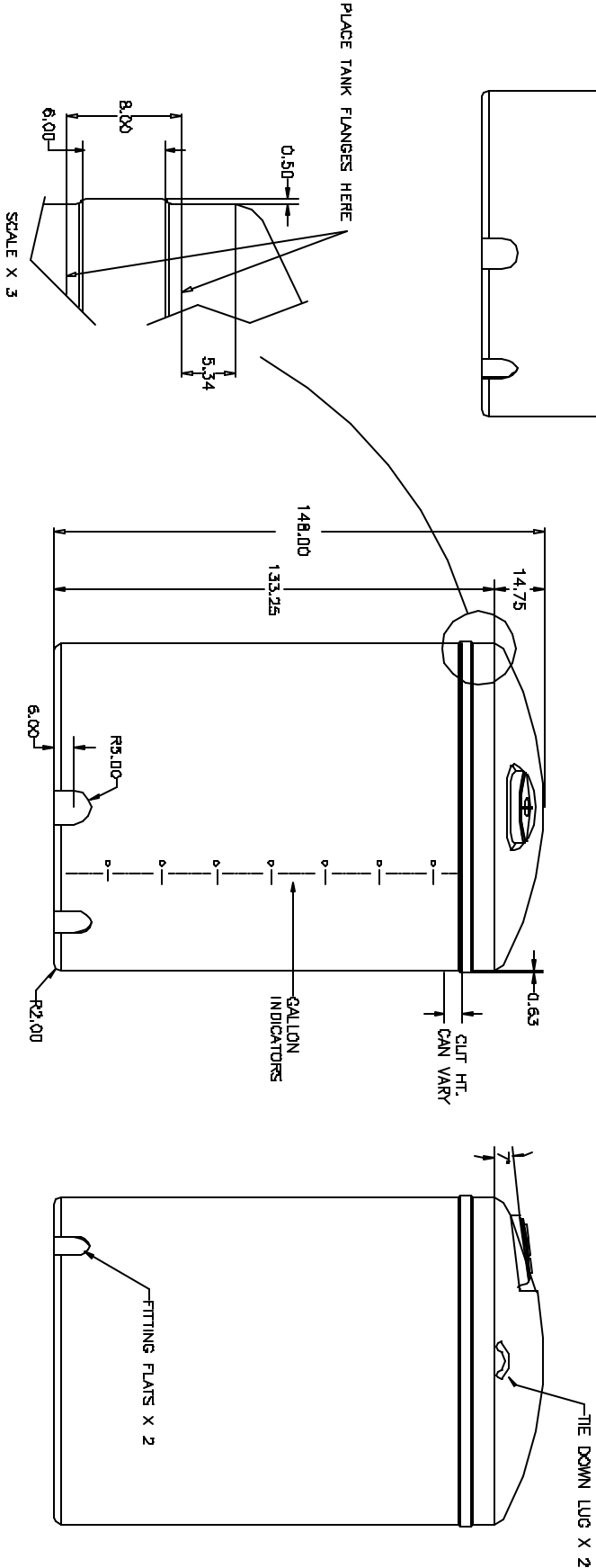
PROPRIETARY DATA

PROPERTY OF ACE ROTO-MOLD MFG., INC. INFORMATION FURNISHED HEREIN IS THE PROPERTY OF ACE ROTO-MOLD MFG., INC. AND SHALL NOT BE USED, DISCLOSED TO OTHERS, OR COPIED WITHOUT THE EXPRESSED WRITTEN CONSENT OF ACE ROTO-MOLD MFG., INC. ALL RIGHTS RESERVED.

VT4200-96



- FEATURES**
1. 1 PIECE ROTATIONALLY MOLDED CONSTRUCTION
 2. TRANSLUCENT COLORS
 3. FDA APPROVED RESIN
 4. UV STABILIZED
 5. CALIBRATED IN GALLONS
 6. THREE YEAR WARRANTY



PLACE TANK FLANGES HERE

SCALE X 3

REV	DESCRIPTION	DATE	APPRD	DRAWN / DATE
				REH 02/18/98
				APPRD. / DATE
				REH 02/18/98

MATERIAL

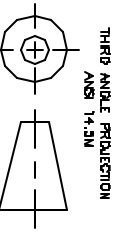
HIDE OR EQUIVALENT REFERENCE MATERIAL DATA SHEET FOR SPECIFIC PROPERTIES.

CLIENT / DESCRIPTION

4200 GALLON SPLIT TOP VERTICAL TANK

ALL DIMENSIONS ARE IN DECIMAL INCHES
TOLERANCES UNLESS OTHERWISE SPECIFIED

+ 1% ± 68" F



- NOTES:**
1. YELLOW, BLUE, BLACK, OR WHITE COLOR
 2. SHOT WEIGHT 950 LBS.

SCALE

N.S.

PART NO.

VT4200-96

