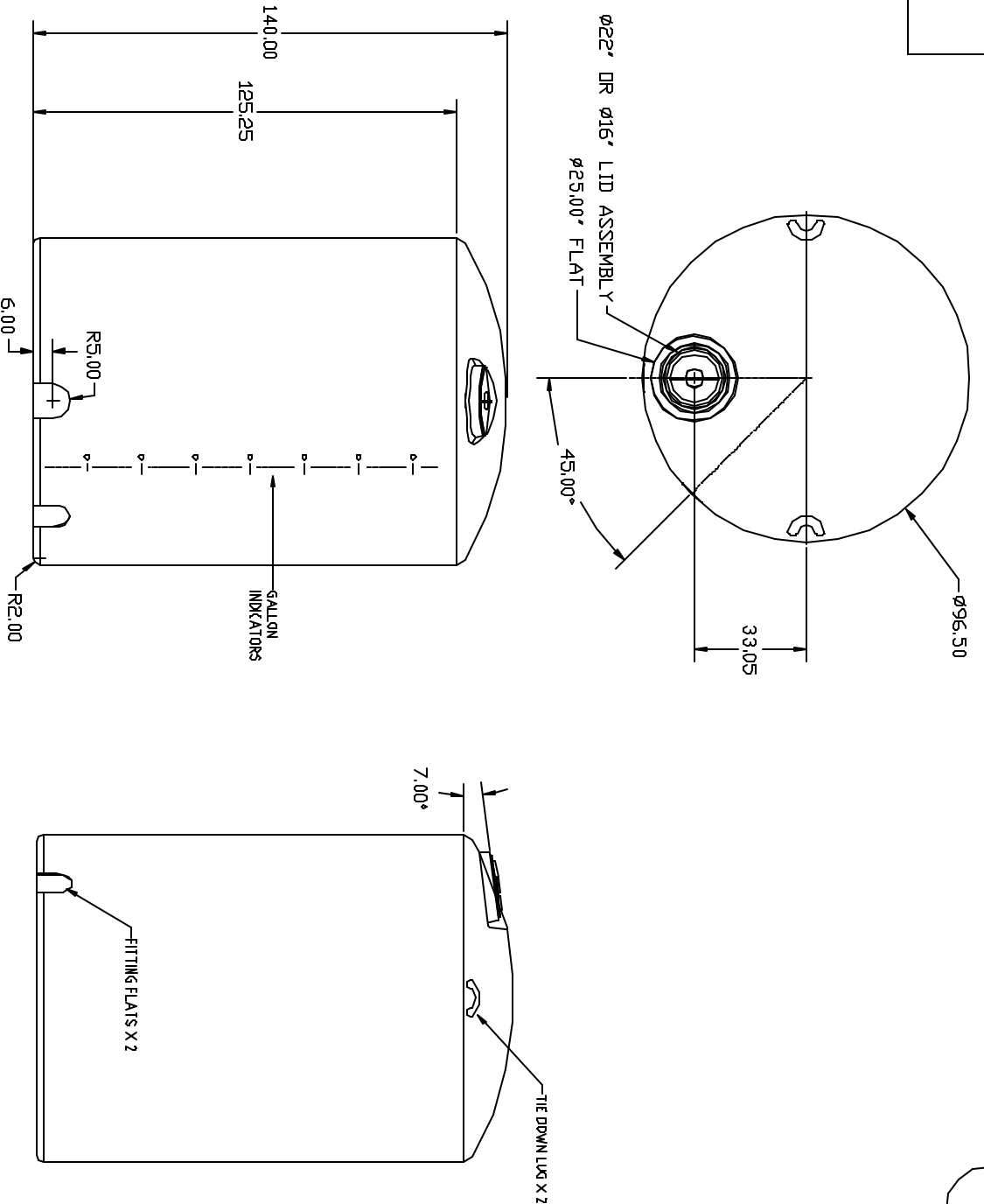


PROPRIETARY DATA

PROPERTY OF ACE ROTO-MOLD MFG. INC. INFORMATION FURNISHED HEREIN IS THE PROPERTY OF ACE ROTO-MOLD MFG. INC. AND SHALL NOT BE USED, DISCLOSED TO OTHERS, OR REPRODUCED WITHOUT THE EXPRESSED WRITTEN CONSENT OF ACE ROTO-MOLD MFG. INC. ALL RIGHTS RESERVED.

VT4000-96

- FEATURES
1. 1 PIECE ROTATIONALLY MOLDED CONSTRUCTION
 2. TRANSLUCENT COLORS
 3. FDA APPROVED RESIN
 4. UV STABILIZED
 5. CALIBRATED IN GALLONS
 6. THREE YEAR WARRANTY



| REV | DESCRIPTION | DATE | APPRD |
|-----|-------------|------|-------|
| | | | |
| | | | |

| | |
|------------------------|-------------|
| DRAWN / DATE | NVE 6/8/15 |
| APPRD. / DATE | DHJ 6/21/15 |
| THIRD ANGLE PROJECTION | ANSI X1.18 |

| | |
|----------|---|
| MATERIAL | HDPB DR EQUIVALENT REPRODUCE MATERIAL DATA SHEET FOR SPECIFIC PROPERTIES. |
| NOTES: | 1. 640 THICK AT FITTING 2. WHITE OR COLDER 3. SHOT WEIGHT 911 LBS. |

| | |
|----------------------|---------------------------|
| CLIENT / DESCRIPTION | 4000 GALLON VERTICAL TANK |
| SCALE | N.S. |
| PART NO. | VT4000-96 |



ALL DIMENSIONS ARE IN DECIMAL INCHES
TOLERANCES UNLESS OTHERWISE SPECIFIED
+ 1% @ 68° F