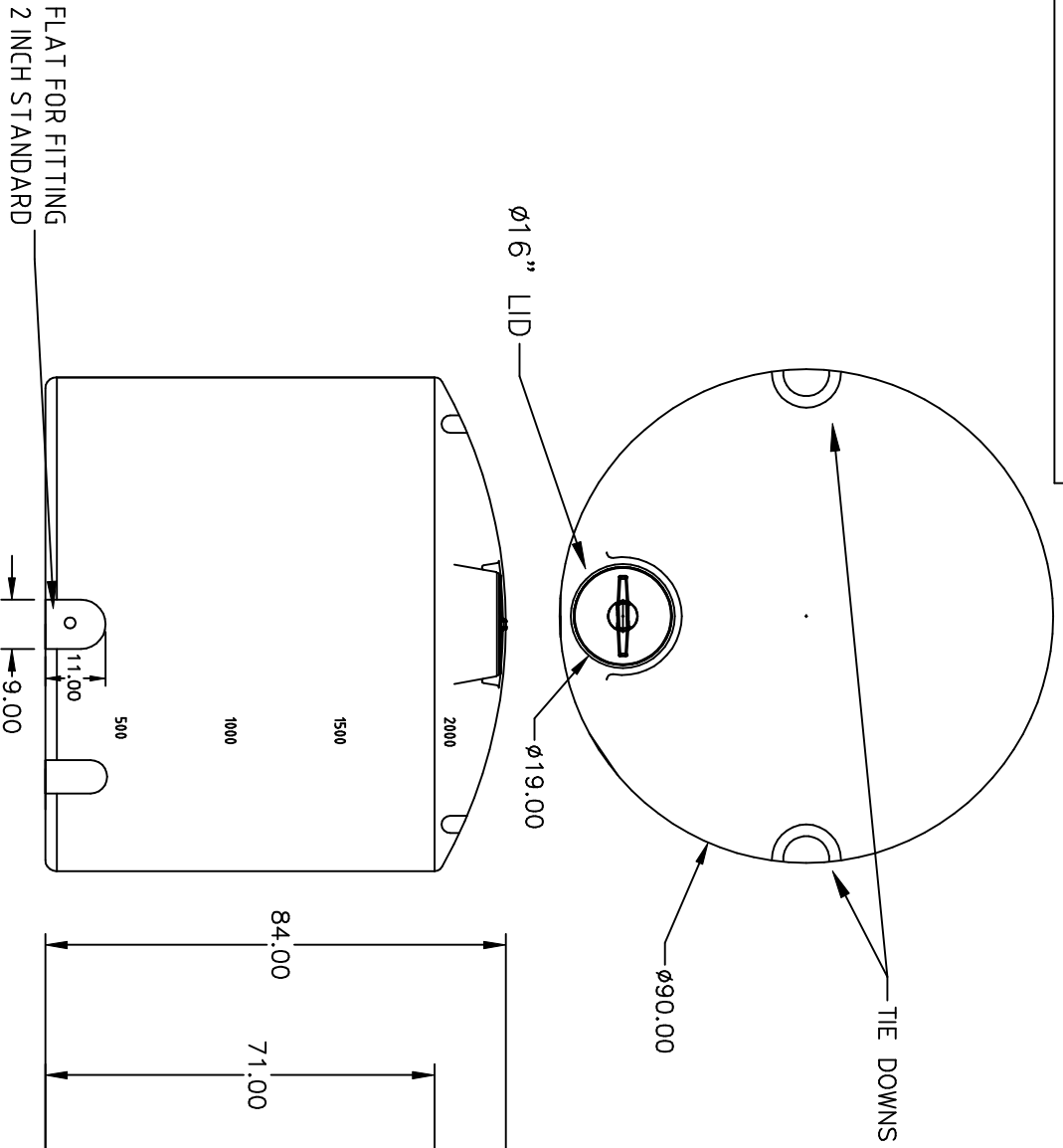


PROPRIETARY DATA

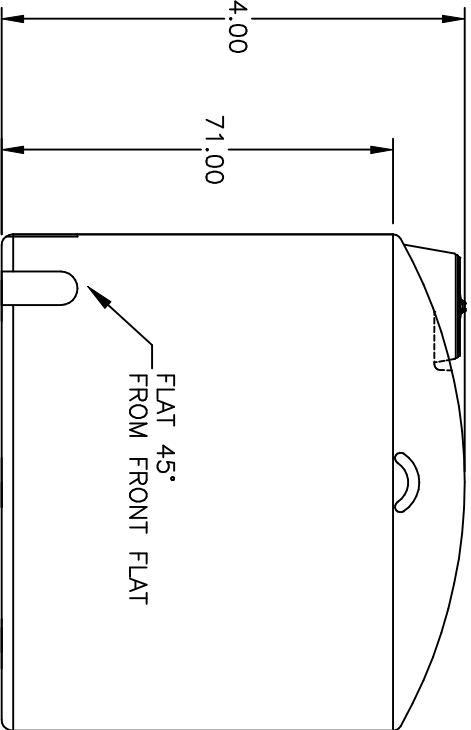
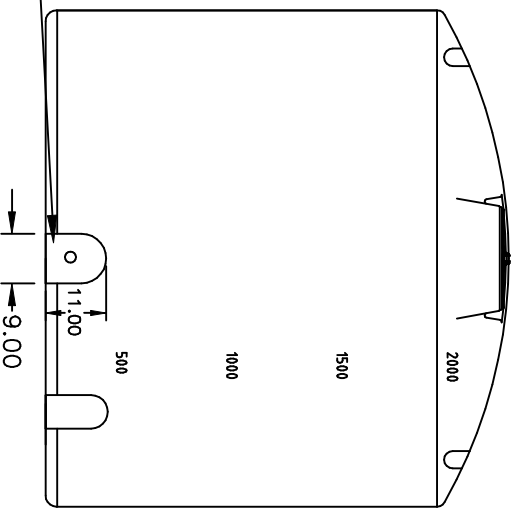
PROPERTY OF ACE ROTO-MOLD MFG., INC. INFORMATION FURNISHED HEREIN IS THE PROPERTY OF ACE ROTO-MOLD MFG., INC. AND SHALL NOT BE USED, DISCLOSED TO OTHERS, OR COPIED WITHOUT THE EXPRESSED WRITTEN CONSENT OF ACE ROTO-MOLD MFG., INC. ALL RIGHTS RESERVED.

VT2000-90



- FEATURES**
1. HEAVY DUTY POLYETHYLENE CONSTRUCTION
 2. 1PIECE ROTATIONALLY MOLDED
 3. TRANSLUCENT
 4. FDA APPROVED RESIN
 5. CALIBRATED IN GALLONS
 6. THREE YEAR WARRANTY
 7. UV STABILIZED
 8. SPECIFIC GRAVITY RATING IS 1.70

FLAT FOR FITTING
2 INCH STANDARD



DRAWN / DATE
NVE 6/10/05

APPRD. / DATE
DHJ 6/21/05

THIRD ANGLE PROJECTION
ANSI 1:5M

MATERIAL
HPE OR EQUIVALENT
REFERENCE MATERIAL DATA SHEET
FOR SPECIFIC PROPERTIES.

ALL DIMENSIONS ARE IN DECIMAL INCHES
TOLERANCES UNLESS OTHERWISE SPECIFIED
+ 1% @ 68° F



NOTES:
1. .350 THICK AT FITTING
2. WHITE, YELLOW, BLUE,
OR BLACK COLOR
3. SHOT WEIGHT 375 LBS.

CLIENT / DESCRIPTION



2000 GALLON VERTICAL TANK

SCALE

N.S.

PART NO.

VT2000-90