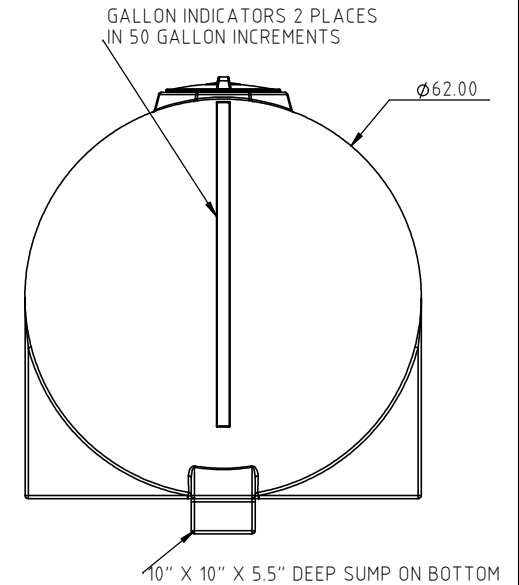
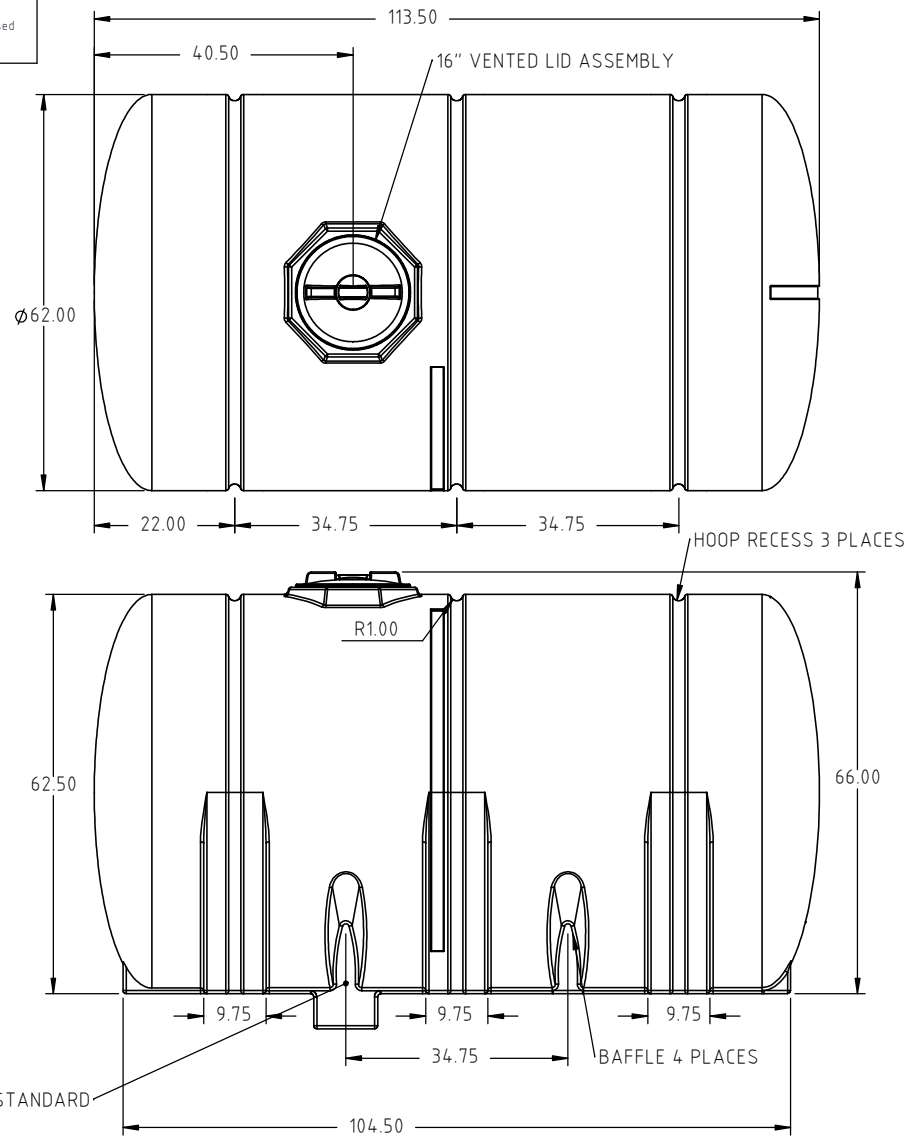



Copyright. All information furnished within this document, electronic file or design correspondence is the property of Den Hartog industries, Inc. and shall not be used, disclosed to others or copied without the expressed written consent of Den Hartog Industries, Inc.



NOTE: 3 HOOPS ARE REQUIRED ON THIS TANK

C	SYPHON TUBE NOTE UPDATED	ADH 5/5/11	2212	DRAWN / DATE	MATERIAL
B	CHANGE SUMP	DHJ 11/2/07		REH 4/27/01	HDPE
A	CHANGE PART #	1/21/05		APPRD. / DATE	
REV	DESCRIPTION	BY / DATE	CCN	DHJ 4/27/01	
ALL DIMENSIONS ARE IN DECIMAL INCHES TOLERANCES UNLESS OTHERWISE SPECIFIED		THIRD ANGLE PROJECTION ANSI 14.5M		SHOT WEIGHT: 425.00 LBS	NOTES: 1.) AVAILABLE IN NATURAL OR YELLOW COLOR. 2.) NOM. WALL = 0.400
POLYETHYLENE		METAL DECIMAL ± .125" FRACTION ± 1/4" ANGLE ± 1°		SHIPPING WEIGHT:	
±1% @ 68° F				FINISH:	



Den Hartog

INDUSTRIES, INC.

Acro Roto-Mold Injection Molding Blow Molding Sowjoy

4010 HOSPERS DRIVE S. BOX 425, HOSPERS, IOWA 51238-0425

DESCRIPTION		1300 GAL. FREE STANDING LEG TANK WITH SUMP	
SCALE	N.S.	PART NO.	FM1300-DS