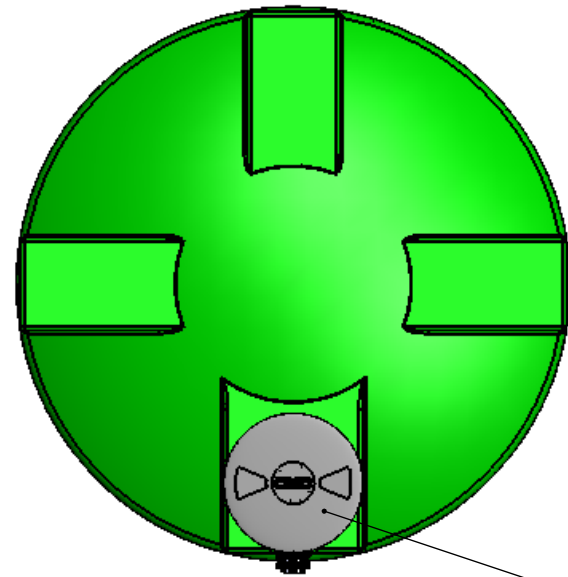
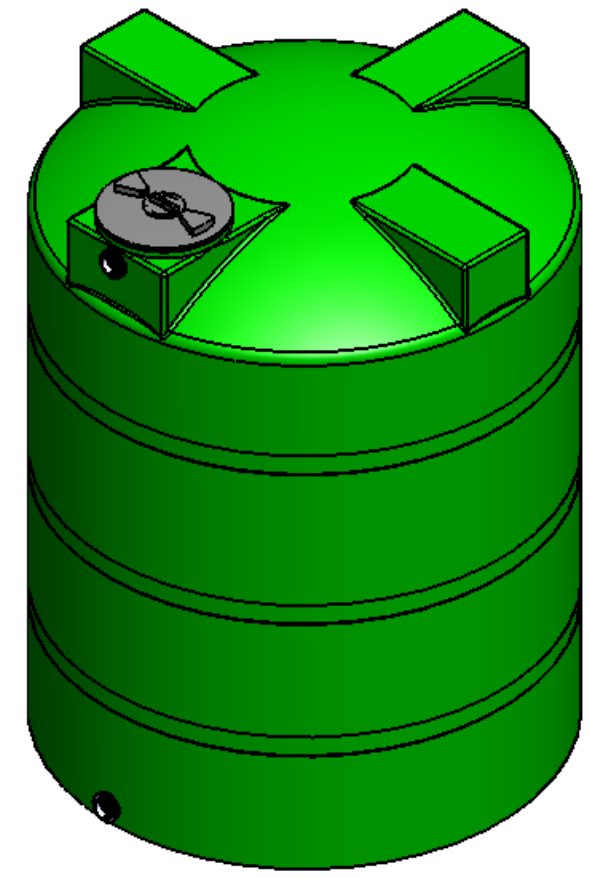


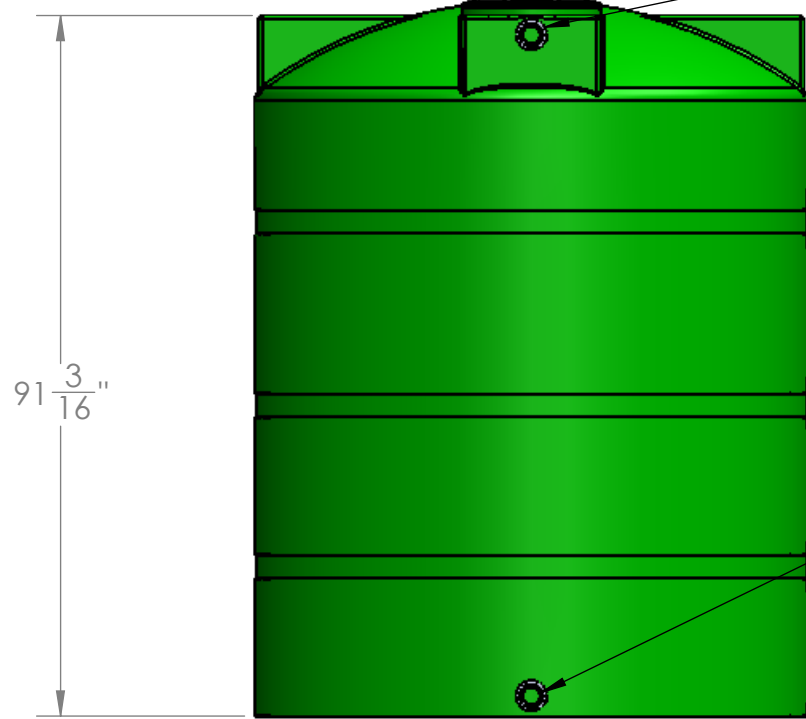
D
C
B
A



16" THREADED LID
W/BREATHER



2" NPT
POLYPRO FITTING



91 ³/₁₆"


2" NPT
POLYPRO FITTING

Ø72"

NOTES:

1. MATERIAL: HDPE
2. COLOR: DARK GREEN
3. WEIGHT: 192 LBS.

PROPRIETARY AND CONFIDENTIAL
THE INFORMATION CONTAINED IN THIS DRAWING IS THE SOLE PROPERTY OF <INSERT COMPANY NAME HERE>. ANY REPRODUCTION IN PART OR AS A WHOLE WITHOUT THE WRITTEN PERMISSION OF <INSERT COMPANY NAME HERE> IS PROHIBITED.

		UNLESS OTHERWISE SPECIFIED:		NAME	DATE	 877-468-2657
		DIMENSIONS ARE IN INCHES TOLERANCES: FRACTIONAL ± ANGULAR: MACH ± BEND ± TWO PLACE DECIMAL ± THREE PLACE DECIMAL ±		DRAWN	11-29-11	
		INTERPRET GEOMETRIC TOLERANCING PER:		CHECKED		TITLE: 1500 GALLON VERTICAL TANK, FRESH WATER GREEN
		MATERIAL		ENG APPR.		
NEXT ASSY	USED ON	FINISH		MFG APPR.		SIZE DWG. NO. REV B 1500 VT FWG
APPLICATION		DO NOT SCALE DRAWING		Q.A.		SCALE: 1:32 WEIGHT: SHEET 1 OF 1
				COMMENTS:		