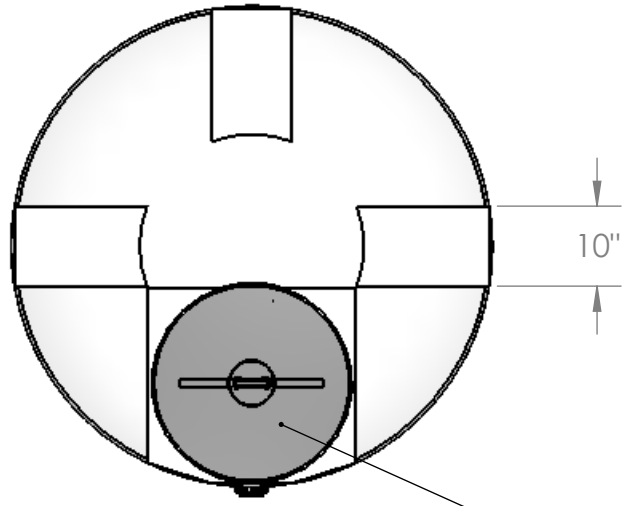


8 7 6 5 4 3 2 1

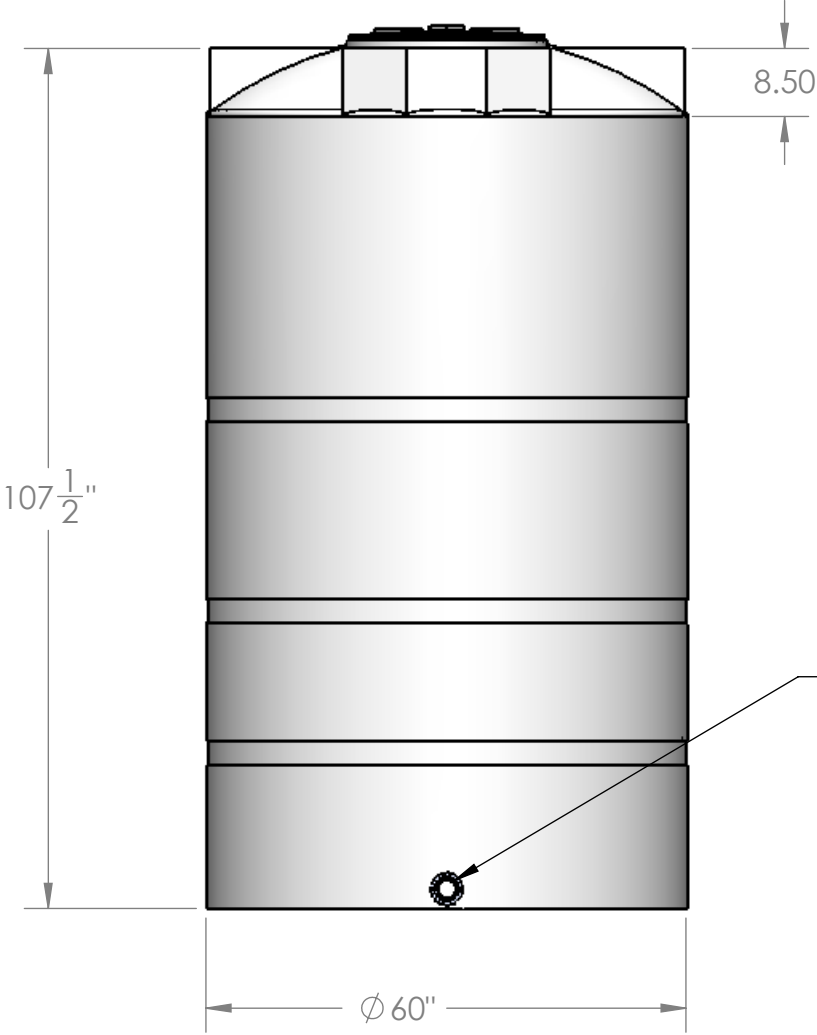
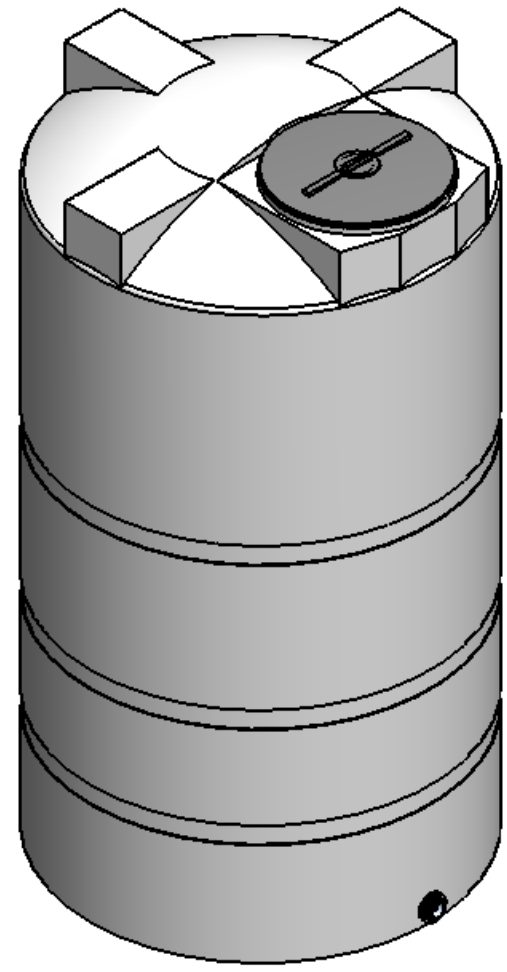
D
C
B
A

D
C
B
A



10"

24" THREADED LID
W/BREATHER



8.50

107 1/2"


Ø 60"

2" NPT
POLYPRO FITTING

NOTES:

1. MATERIAL: HDPE
2. WEIGHT: 254 LBS = 1.5 S.G. STD.
338 LBS = 2.0 S.G. HD.

PROPRIETARY AND CONFIDENTIAL
THE INFORMATION CONTAINED IN THIS DRAWING IS THE SOLE PROPERTY OF <INSERT COMPANY NAME HERE>. ANY REPRODUCTION IN PART OR AS A WHOLE WITHOUT THE WRITTEN PERMISSION OF <INSERT COMPANY NAME HERE> IS PROHIBITED.

		UNLESS OTHERWISE SPECIFIED:		NAME	DATE	 877-468-2657
		DIMENSIONS ARE IN INCHES TOLERANCES: FRACTIONAL ± ANGULAR: MACH ± BEND ± TWO PLACE DECIMAL ± THREE PLACE DECIMAL ±		DRAWN	12-15-11	
		INTERPRET GEOMETRIC TOLERANCING PER:		CHECKED		TITLE: 1225 GALLON VERTICAL TANK
		MATERIAL		ENG APPR.		
		FINISH		MFG APPR.		SIZE DWG. NO. REV B 1225 VT
NEXT ASSY	USED ON	DO NOT SCALE DRAWING		Q.A.		SCALE: 1:32 WEIGHT: SHEET 1 OF 1
APPLICATION				COMMENTS:		

8 7 6 5 4 3 2 1